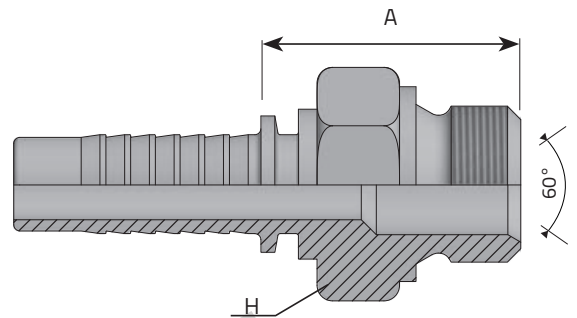




BSPP MALE - 60° CONE (1)

MASCHIO BSPP SV 60°
 MÂLE BSPP CÔNE 60°
 AGR 60° INNENKONUS (BSPP GEWINDE)
 MACHO FIJO BSPP CONO 60°



Code	Tube		Thread			Dimensions		Pressure	
	D.N.	Hose	Diam	T	t/1"	H	A	Bar	Psi
	Inch		mm	Inch		mm	mm		
MG0302	-3	3/16"	4.8	1/8"	28	14	20.5	350	5076
MG0304	-3	3/16"	4.8	1/4"	19	19	26	415	6019
MG0402	-4	1/4"	6.4	1/8"	28	14	20.5	350	5076
MG0404	-4	1/4"	6.4	1/4"	19	19	27	450	6526
MG0406	-4	1/4"	6.4	3/8"	19	22	29	450	6526
MG0408	-4	1/4"	6.4	1/2"	14	27	32	450	6526
MG0504	-5	5/16"	7.9	1/4"	19	19	27	350	5076
MG0506	-5	5/16"	7.9	3/8"	19	22	29	350	5076
MG0508	-5	5/16"	7.9	1/2"	14	27	32	350	5076
MG0604	-6	3/8"	9.5	1/4"	19	19	27	450	6526
MG0606	-6	3/8"	9.5	3/8"	19	22	29	450	6526
MG0608	-6	3/8"	9.5	1/2"	14	27	32	450	6526
MG0806	-8	1/2"	12.8	3/8"	19	22	29	415	6019
MG0808	-8	1/2"	12.8	1/2"	14	27	33	415	6019
MG0810	-8	1/2"	12.8	5/8"	14	30	34.5	415	6019
MG0812	-8	1/2"	12.8	3/4"	14	32	36	415	6019
MG1008	-10	5/8"	16	1/2"	14	27	33	350	5076
MG1010	-10	5/8"	16	5/8"	14	30	34.5	350	5076